



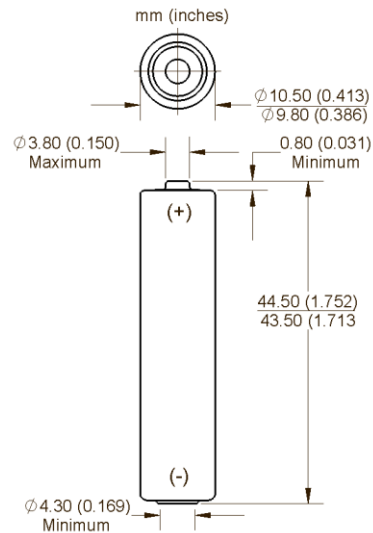
Rayovac Stock Number: **824, 824 OEM, AAA ULTRA PRO**

## Specifications

**Chemistry:** Alkaline (Zinc-Manganese Dioxide)  
**Designation:** ANSI - 24A, IEC - LR03  
**Nominal Voltage:** 1.5 volts  
**Approximate Weight:** 0.4 Oz (11 grams)  
**Approximate Volume:** 0.2 CU IN (3.5 cc)  
**Operating Temp:** -30°C to 55°C (-20°F to 130°F)  
**Shelf Life:** 10 years at 21°C  
**Terminals:** Flat Contact  
**Case material:** Plastic Film  
**Environmental:** No mercury added formulation.  
 Meets Environmental Protection Agency (EPA) requirements for landfill disposal.

[Rayovac Material Safety Sheets](#)

## IEC Standard Dimensions



## Typical Service Life – ANSI Application Tests

Name	Test	Runtime	mAh
Home Medical	250 MA 5 MIN/HR – 12 HR/DY 21C to 1.1V	2.31 hours	570
Lighting	5.1 Ω 21C to 0.9V	4.38 hours	1000
Toy	5.1 Ω 1 HR/DY 21C 0.8V	4.51 hours	980
Remote	24 Ω 15S/45S 8 HR/DY 21C to 1.0V	20.8 hours	1100
Digital Audio	50 MA 1 HR/12 HR 21C to 0.9V	21.7 hours	1080